



# Play Zee Bo

ASSEMBLY MANUAL

Copyright © 2015 Gorilla Playsets  
All Rights Reserved

Gorilla Playsets • 190 Etowah Industrial Court Canton, GA 30114

[www.gorillaplaysets.com](http://www.gorillaplaysets.com)

Latest Revision: July 10, 2015

# TABLE OF CONTENTS

Warranty and Safety Guidelines.....	Pages 4-9
Leveling play set, General Information and Site Plan.....	Pages 9-11
Tool List, Kit Contents, Hardware, Lumber and Accessory Checklist.....	Pages 12-16
Side Panels.....	Step 1
Gussets.....	Step 2
Attaching Seat.....	Step 3
Connecting Side Panels.....	Step 4
Roof Top Gusset.....	Step 5
Roof Supports.....	Step 6
Roof Support Assembly Installation.....	Step 7
Ground Stakes.....	Step 8
Tarp Installation.....	Step 9
Cutting the Tarp Cord.....	Step 9.2.1
Roof Finial.....	Step 10
Sandbox Cover.....	Step 11
Safety Warnings.....	Step 12
Customer Registration Card.....	Last Page

**PLEASE READ OWNER'S MANUAL CAREFULLY  
BEFORE STARTING ASSEMBLY!**

# IMPORTANT – PLEASE READ

As fresh lumber acclimates to its new environment, the natural tendencies of the tree can show itself in the form of checks, or “cracks” in the lumber. In almost all cases this is normal and it will not affect the structural integrity of your play set.

Cosmetic defects that do not affect the structural integrity of the product, or natural defects of wood such as warping, checking or any other physical properties of wood that do not present a safety hazard, are not covered by this warranty. Defects that develop because the product is exposed to extreme climate conditions are not covered by this warranty. Defects that develop as a result of faulty or improper installation of the product are also not covered by this warranty.

**Most cracks are not warrantable**, however if you believe that the integrity of your play set is compromised by this natural occurrence, please follow the warranty claim procedure found at [www.gorillaplaysets.com](http://www.gorillaplaysets.com). Click on the “Customer Care” tab on the left hand side of the page, then click on “Warranty Claim” and follow the instructions.

We appreciate your purchase and know that you will enjoy your Play Zee Bo for many years to come.

IF YOU HAVE MISSING OR DAMAGED PARTS OR NEED ASSISTANCE ASSEMBLING, PLEASE CALL Gorilla Playsets™ MANUFACTURING DIRECT. 770-704-9300 FACTORY HOURS – MON.–FRI., 8AM-5PM EST DO NOT RETURN THIS PRODUCT TO THE RETAILER OR CONTACT THE RETAILER DIRECT. THE RETAILER DOES NOT STOCK COMPONENTS. PLEASE RETAIN THESE INSTRUCTIONS FOR FUTURE REFERENCE. KEEP THEM IN A SAFE PLACE WHERE YOU CAN REFER TO THEM AS NEEDED.

## **CONTACT INFO:**

Gorilla Playsets  
190 Etowah Industrial Court  
Canton, GA 30114  
Tel. (770) 704-9300  
Fax. (678) 880-3329  
Or email us at: [custsrv@gorillaplaysets.com](mailto:custsrv@gorillaplaysets.com)

Check for revised instructions at [www.gorillaplaysets.com/category-s/92.htm](http://www.gorillaplaysets.com/category-s/92.htm)

# Thank you for choosing Gorilla Playsets®

We've included everything you need, except tools, to build your very own professional looking play set. When complete, your new play set should far exceed the quality of play set kits from other build-your-own companies. Our engineers and design team have over 30 years of playground experience. What we've developed is a play set that doesn't compromise quality for simplicity. Yet you'll appreciate how quick and easy construction really is! Our play set kits are designed for children ages 3 to 11. Gorilla Playsets® believes every child should have a play set and with our kits they can! You can rest assured your new play set is safe, durable and designed to hold up to the elements. As parents ourselves, we know how important the security and well-being of our children is, and this shows in all of our products.

This play set features our step-by-step 3D illustrated manual, plus all the required hardware and pre-milled lumber.

## Quality Lumber

At Gorilla Playsets, we use only the finest, hand selected lumber available. You can be assured that our lumber is strong, durable, and conforms to the national standards for use in children's play equipment. It's this quality that allows us to offer a 1 year warranty on the lumber used in this product.

## Important Safety Guidelines

This product is intended for residential use only and not intended for use in any public setting. A safety surface such as mulch or recycled tire should be used around the play set to prevent injury from falls. Also a 6 foot safety zone should be used around the entire play set.

As with any home project, good judgment and respect for power tools will greatly reduce the risk of injury. Gorilla recommends you follow all tool manufacturers' safety guidelines. Always wear eye protection and safety gloves to prevent injury. In several phases of construction two people may be required for lifting and securing of lumber. While the play set is being constructed, please keep children off the equipment until the project is complete. Bolts and screw heads should be checked regularly for tightness.

Gorilla shall not be liable for incidental, indirect or consequential damages or injuries that result from the building and/or playing on our play sets. Adult supervision is recommended anytime a play set is being used.

# Limited Manufacturers Warranty

Gorilla Playsets® (“Gorilla”) warrants its play sets to be free from defects in workmanship and materials, under normal use and conditions, for 10 years for above ground structural wood components and for one year for all other components (e.g., swings, hardware, plastics, tarps, rope ladder, etc.).

Gorilla warrants all remaining products, including but not limited to its , Free Standing Swing Set, Free Standing Tire Swing, See-Saw, Children’s Picnic Table with Umbrella, Play-Zee-Bo™, Cedar Toy Chest and spring riders to be free from defects in workmanship and materials, under normal use and conditions, for a period of 1 year.

Cosmetic imperfections and natural tendencies of wood such as peeling, splintering, warping, seasonal checking or cracking, knots or knot holes, etc. are normal characteristics of all outdoor wooden play equipment and are not covered by this warranty. Checks or cracks in wood components that do not affect the intended function of the part, piece or overall swing set are not covered under this warranty.

Wood rot or decay that develops because the product was installed in an area with poor drainage is not covered under this warranty. Lumber that has been damaged by wood boring bees, or conditions that develop as a result of faulty or improper installation of the product, are not covered by this warranty. Fading of stain, discoloration or mold on any wood part or accessory is not covered by this warranty. Cracks in plastic components, surface rust on hardware and chips on powder coated materials are not considered defects in material as long as they do not affect the functionality or structural integrity of the part or component.

It is the owner’s responsibility to maintain the swing set. This includes but is not limited to staining and sealing the lumber as needed and regular inspection to be sure all hardware is tight. Instructions for proper maintenance can be found on Gorilla’s website. Imperfections or conditions that develop because of a failure to properly maintain the swing set are not covered by this warranty.

Gorilla will, at its discretion, replace any above ground part within the stated warranty period that is defective in workmanship or materials. This decision is subject to verification of the defect, which, at Gorilla’s discretion, may be accomplished by submitting photographs or by delivery of the defective part to Gorilla Playsets • 190 Etowah Industrial Ct. • Canton, GA 30114 • 1-800-882-0272 Monday to Friday 9AM-5PM EST. Any warranty claim must include proof of purchase, including the date of purchase. In addition, within the first 30 days from the date of purchase, Gorilla will replace any parts discovered to be missing from or damaged in the original packaging.

This warranty is valid only if the product is used for the purpose for which it was designed and installed at a residential, single-family dwelling. This warranty is void if the product is used in a commercial, institutional or multi-family setting. This warranty does not cover normal wear and tear or (a) products that have been damaged by acts of God and/or nature, negligence, misuse or accident; (b) products that have been modified or repaired by unauthorized persons; (c) the cost of labor; or (d) the cost of shipping any replacement product or part.

GORILLA DISCLAIMS ALL OTHER REPRESENTATIONS AND WARRANTIES OF ANY KIND, EXPRESSED, IMPLIED, STATUTORY OR OTHERWISE, INCLUDING THE IMPLIED WARRANTIES OF MERCHANTABILITY AND FITNESS FOR A PARTICULAR PURPOSE. GORILLA WILL NOT BE LIABLE FOR ANY INCIDENTAL OR CONSEQUENTIAL DAMAGES. This warranty is non-transferable and does not extend to the owners of the product subsequent to the original purchaser. Some states do not allow limitations on implied warranties or exclusion of incidental or consequential damages, so these restrictions may not be applicable to you. This warranty gives you specific legal rights. You may also have other rights which vary from state to state.

# Safety and Maintenance Tips for Your New Play Set:

**NOTE: Your children's safety is our #1 concern. Observing the following statements and warnings reduces the likelihood of serious or fatal injury. Please review these safety rules regularly with your children.**

- On-site adult supervision is required.
- Make sure Tarp is secured at all times to wooden frame.
- Seams on Tarp or Sandbox Cover should be inspected occasionally for any loose strings which may pose a hazard.
- Remove the Sandbox Cover COMPLETELY from the sandbox before use and store away from children.
- Do not use Sandbox Cover or Tarp for any purpose other than the original design.
- Maintain Sandbox Cover and Tarp to avoid hazardous conditions. If Sandbox Cover or Tarp becomes damaged, repair immediately or contact Gorilla to purchase a replacement.
- Keep Sandbox covered when not in use to avoid contamination from animals.
- Keep pets out of the sandbox.
- Inspect your Play Zee Bo regularly. Any part that has become loose or worn should be tightened or replaced to prevent possible safety hazards.
- Retighten all screws and fasteners at the beginning of each season.
- For safety, inspect your sandbox for wood damage and remove any sharp edges.
- Keep Top Finial in place for safety.
- A removed or partially detached Sandbox Cover or Tarp could pose a suffocation or choking hazard for your child. Make sure the Sandbox Cover is stored away from children and that the Tarp is securely in place during play time.
- NEVER leave small children unattended.
- This play set is NOT recommended for children under 3 years of age.
- Teach children not to rock or tip sandbox.
- Parents should have their children dress appropriately with well-fitting shoes. Loose clothing such as scarves and ponchos should not be worn. Always take off, tie up or tuck in cords and drawstrings on children's clothing. These things can get caught on playground equipment and strangle a child.
- Teach children not to attach items to the Play Zee Bo that are not specifically designed for use with the equipment, such as, but not limited to, jump ropes, clothesline, pet leashes, cables and chain as they may cause a strangulation hazard.

**WARNING: Children must NOT use this play set until unit has been completely assembled and inspected by an adult to insure set has been properly installed and anchored.**

# **Safety and Maintenance Tips for Your New Play Set: (continued)**

Playgrounds should be inspected on a regular basis. If any of the following conditions are noted, they should be removed, corrected, or repaired immediately to prevent injuries.

- Hardware that is loose, worn or that has protrusions or projections.
- Exposed equipment footings.
- Scattered debris, litter, rocks, or tree roots.
- Splinters, large cracks, and decayed wood components.
- Deterioration and corrosion on structural components, which connect to the ground.
- Missing or damaged components.
- Check all hardware frequently during the usage season and tighten as required. (But not so tight that you crack the wood) It is particularly important that this procedure be followed at the beginning of each season.
- Inspect wood parts monthly. The grain of the wood sometimes will lift in the dry season causing splinters to appear. Light sanding may be necessary to maintain a safe playing environment. If you are treating your play set with stain regularly, it will help prevent severe checking/splitting and other weather damage.
- Once or twice a year, depending on your climate conditions, you must apply some type of protection (sealant) to the wood of your unit. Prior to the application of sealant, lightly sand any “rough” spots on your set. Please note this is a requirement of your warranty.
- Creating and maintaining the play set on a level location is very important. As your children play, your play set will slowly dig its way into the soil, and it is very important that it settles evenly. Make sure the play set is level and true once each year or at the beginning of each play season.
- Rake the play sand surface periodically to prevent compaction and maintain appropriate depths. Add more sand as required.
- Disposal Instructions: When the play set is no longer desired, it should be disassembled and disposed of in such away that no unreasonable hazards will exist at the time the unit is discarded.

# Play Set Surfacing Recommendations:

Below are some of the recommendations that the U.S. Consumer Product Safety Commission (CPSC) offers from its Handbook for Public Playground Safety. The guide can be downloaded in full at [www.cpsc.gov/cpscpub/pubs/325.pdf](http://www.cpsc.gov/cpscpub/pubs/325.pdf)

**1. Protective Surfacing** - Since almost 60% of all injuries are caused by falls to the ground, protective surfacing under and around all playground equipment is the most critical safety factor on playgrounds.

Certain manufactured synthetic surfaces also are acceptable; however, test data on shock absorbing performance should be requested from the manufacturer.

Asphalt and concrete are unacceptable. They do not have any shock absorbing properties. Similarly, grass and turf should not be used. Their ability to absorb shock during a fall can be reduced considerably through wear and environmental conditions.

Certain loose-fill surfacing materials are acceptable. Surfacing materials are acceptable, such as the types and depths shown in the table.

## Fall Heights and Materials

Material	Uncompressed Depth			Compressed Depth
	6" (152mm)	9" (228mm)	12" (304mm)	
Wood Chips	7' (2.13m)	10' (3.05m)	11' (3.35m)	10' (3.05m)
Double-Shredded bark mulch	6' (1.83m)	10' (3.05m)	11' (3.35m)	7' (2.13m)
Engineered Wood Fibers	6' (1.83m)	7' (2.13m)	>12'(3.66m)	6' (1.83m)
Fine Sand	5' (1.52m)	5' (1.52m)	9' (2.74m)	5' (1.52m)
Coarse Sand	5' (1.52m)	5' (1.52m)	6' (1.83m)	4' (1.22m)
Fine Gravel	5' (1.52m)	5' (1.52m)	9' (2.74m)	5' (1.52m)
Medium Gravel	5' (1.52m)	5' (1.52m)	6' (1.83m)	5' (1.52m)
Shredded Tires*	10-12' (3.0-3.6m)	N/A	N/A	N/A

\*This data is from tests conducted by independent testing laboratories on a 6-inch depth of uncompressed shredded tire samples produced by four manufacturers. The tests reported critical heights, which varied from 10 feet to greater than 12 feet. It is recommended that persons seeking to install shredded tires as a protective surface request test data from the supplier showing the critical height of the material when it was tested in accordance with ASTM F1292.

*It should be recognized that all injuries due to falls cannot be prevented no matter what surfacing material is used.*



**2. Fall Zones** - A fall zone, covered with a protective surfacing material, is essential under and around equipment where a child might fall. This area should be free of other equipment and obstacles onto which a child might fall. Stationary climbing equipment and slides should have a fall zone extending a Minimum of 6' in all directions from the perimeter of the equipment.

## Leveling Your Play Zee Bo During Assembly

- Complete the steps which will be the basic frame of the fort {i.e. six sides with roof supports This is up to Step 7.}
- Position the play set in the most level area possible.
- Once the frame is in the final position, check for vertical and horizontal levelness to determine which side(s) will need to be dug into the ground to level the play set.
- With a shovel, score the ground around the outside edges of the Bottom Panel Boards on the 'high' side of the fort. This is the area that will be dug in. Make sure to score deep enough; the scored lines will be your digging template.
- With an assistant lift the frame off and away from the scored area, far enough to dig and remove dirt to reach the appropriate depth.
- Dig a channel along the scored line(s) for the base of the Play Zee Bo sides to rest into. Dig the channel(s) to the same level depth. The bottom of the channel(s) should be level to each other so your frame doesn't teeter or rock because the channel(s) are uneven.
- Once you have removed enough grass and dirt, you and your assistant should lift the frame into the channel(s). Place a level on the vertical and horizontal boards of the frame to determine if enough soil, or too much, was removed.
- Repeat this process until the basic frame is plumb and level and in its final position before completing the rest of the assembly.
- Measure to make sure Play Zee Bo is square.
- Line the inside of the Play Zee Bo with a weed blocker type material to assist with the elimination of weeds. Weed blocker material is not provided with the Play Zee Bo but may be purchase separately at home centers.

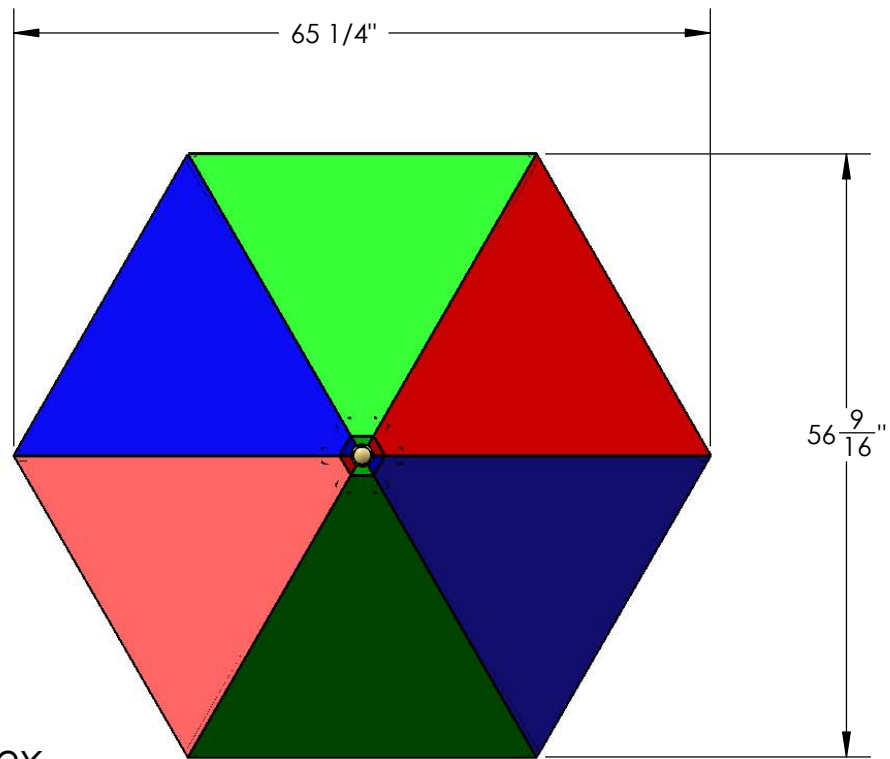
**Important: if you require a channel depth of more than 6", then we recommend you have your play set area professionally graded before completing assembly.**

# General Info to Review Before Installation

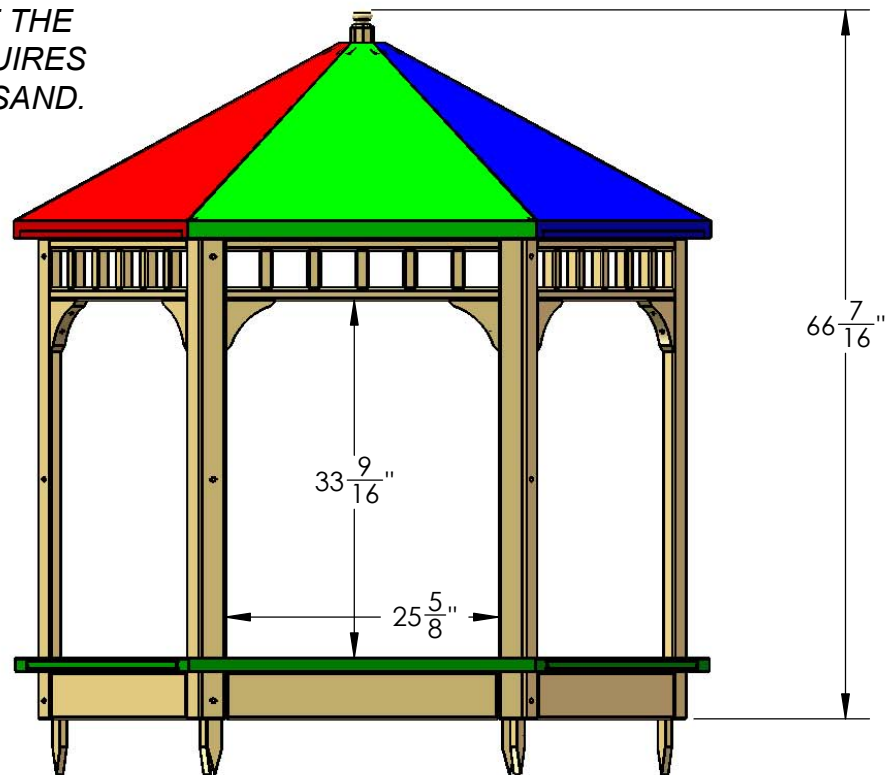
- Depending on your experience, assembly of the Play Zee Bo can take as little as 1 hour up to 3 hours, depending on your prior construction experience.
- Identify all of the parts for your play set. Empty the box and lay out boards so you can see each part. Your instruction book will have detailed drawings that will make it easy for you to recognize individual parts. Keep all hardware and metal parts separate from wooden pieces.
- After everything is laid out, check carefully to ensure all parts are present. Make sure there are no broken boards.
- Find an area to sort your hardware. It is best to open the hardware on a solid surface so that you do not lose any pieces in the grass. This will save time and familiarize you with all the different pieces in the hardware bag.
- Important note: Wood has some natural defects such as knots, surface cracks, etc... We reject parts that are structurally defective. We use a high quality lumber in our structures; however, you should inspect each part for splinters or rough spots and sand them smooth to prevent injury.
- After familiarizing yourself with all of the components, read all instructions thoroughly. Reading instructions after you have studied the parts will help you understand more clearly the installation process, and help to eliminate unnecessary mistakes.
- Pay close attention to the diameter and length of each bolt and screw.
- Never tighten hardware completely at first. It helps to have some adjustment for bolt alignment while you are attaching parts together. After everything is square, tighten each joint.
- After the frame is assembled it is critical that the base is level and square. If the base is not level, the walls will be out of square.
- After you complete installation, make sure every bolt, screw, and nut is tight, and every board is secure. Wood will expand and contract with the seasons.
- Check all bolt connections every two weeks during the usage season.
- Place the Play Zee Bo on level ground, not less than 6ft from any structure or obstruction such as a fence, garage, house, overhanging branches, laundry lines, or electrical wires.

**Please familiarize yourself with the manual, parts/components and general construction process of your new playset before getting started.**

**SITE PLAN:**



**NOTE:**  
TO FILL THE SANDBOX  
TO THE BOTTOM OF THE  
SEAT BOARDS REQUIRES  
ABOUT 550 LBS OF SAND.



Approximate assembly time: 1 to 3 hours

**(6) foot unobstructed safety perimeter around playset recommended**

## REQUIRED TOOL LIST:

- Standard or Cordless Drill w/ Phillips Bit (#2 phillips bit provided)
- 1/8" Drill Bit is only required if drilling new holes in your ground stakes.
- Level
- Tape Measure
- Extension Cord (if using standard drill)
- Hammer
- Pencil
- Shovel

## KIT CONTENTS

### Accessories:

- (Qty ) Description
- (1) Multicolored Tarp
- (1) Sandbox Cover
- (1) Assembly Manual

### Hardware:

*see following pages*

### Wood Components:

*see following pages*

## READ! VERY IMPORTANT!

If you are missing parts or have questions regarding the installation of our quality product PLEASE call us directly at the factory **(770-704-9300)**. Our trained staff will be happy to assist you.

**Customer service hours:**  
**Monday thru Friday 8AM – 5PM EST**  
**E-mail: [custsrv@gorillaplaysets.com](mailto:custsrv@gorillaplaysets.com)**

**Use the ruler to the right to measure your bolts and screws. Picture views shown below are 1:1 scale and can be used to match bolt and screw sizes.**

#8 x 1-1/2"  
Wood Screw  
QTY: 86



#8 x 2"  
Wood Screw  
QTY: 38



#8 x 2-1/4"  
Wood Screw  
QTY: 14



#8 x 3"  
Wood Screw  
QTY: 50



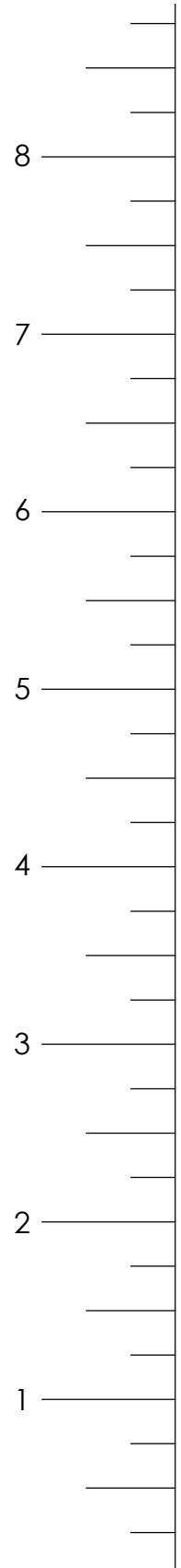
Truss Head Phillips machine screw  
M6 X 1.0 thread X 50mm L  
QTY: 8

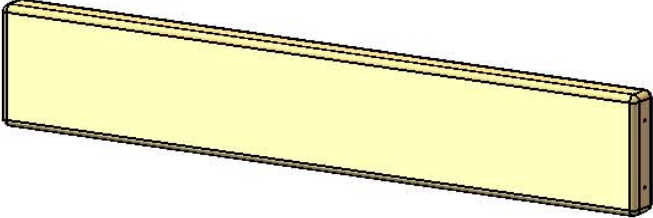
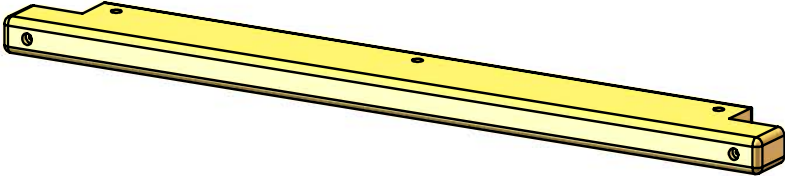
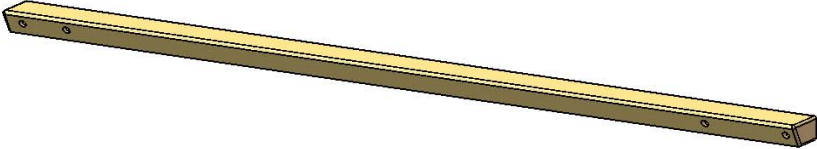
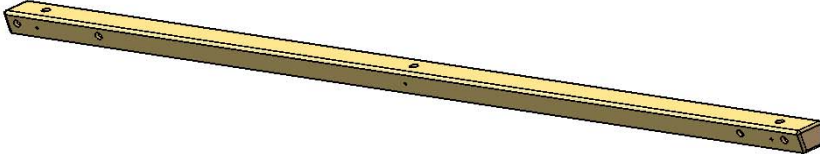
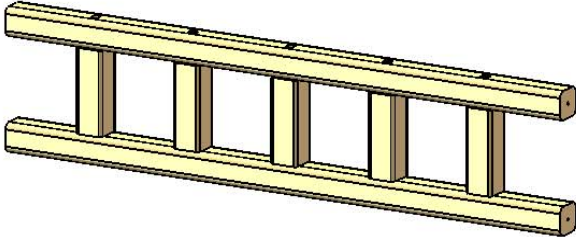
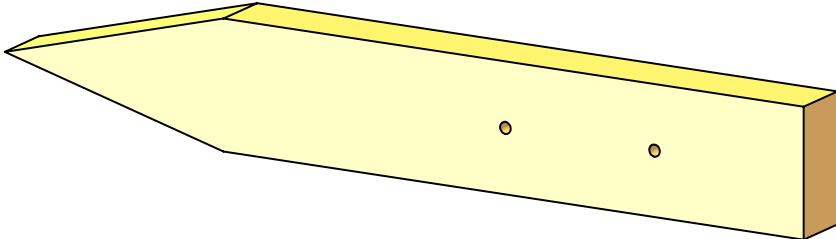


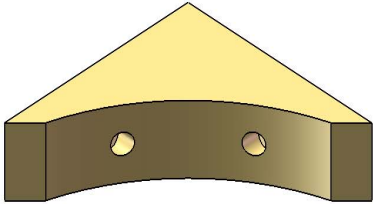
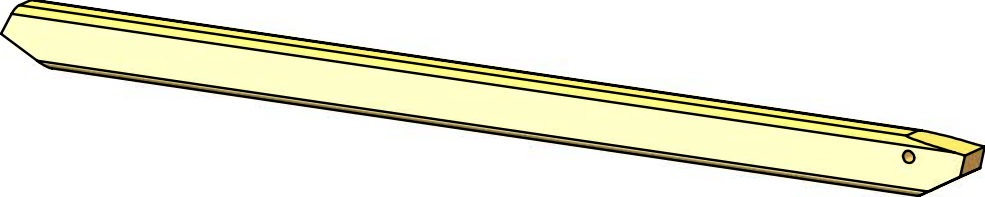

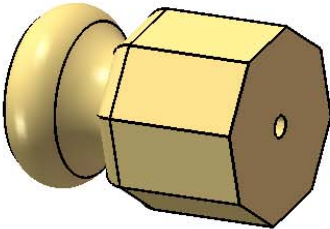
NUT - Serrated hex flange lock  
M6 X 1.0 thread  
QTY: 7

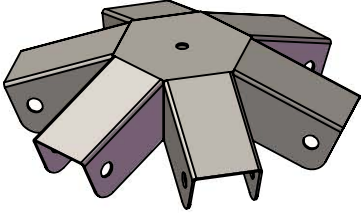
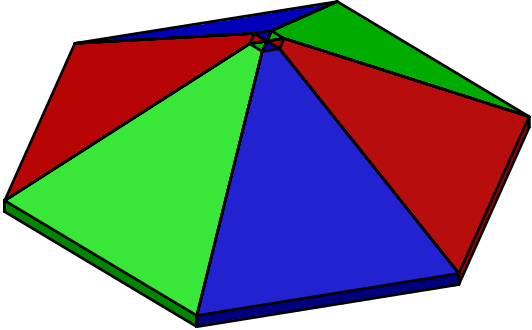
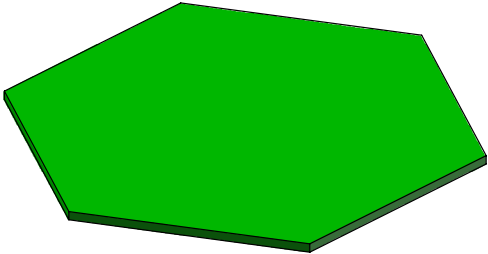


PH2 Phillips Drive Bit  
QTY: 1



Picture	Description	Qty.
	1-1/4" X 4-1/2" X 25-5/8" Bottom Panel Board A	<b>6</b>
	1-3/16" X 3-1/2" X 30" Seat B	<b>6</b>
	1-1/4" X 2-5/16" X 45-1/8" Corner Post CP1 (4 holes)	<b>6</b>
	1-1/4" X 2-5/16" X 45-1/8" Corner Post CP2 (7 holes)	<b>6</b>
	1-1/4" X 5-7/8" X 25-5/8" Spindle Assembly D	<b>6</b>
	11/16" X 1-3/8" X 9-3/8" Ground Stake E	<b>6</b>

Picture	Description	Qty.
	<p>1-1/4" X 4-3/4" x 4-3/4" Gusset F</p>	<p><b>12</b></p>
	<p>1-1/4" X 1-15/16" X 35-1/4" Roof Support H</p>	<p><b>6</b></p>
	<p>5/8" X 3-1/8" X 32" Roof Top Gusset J</p>	<p><b>6</b></p>
	<p>2" X 2" X 3" Roof Finial K  (Threaded insert is attached inside hole.)</p>	<p><b>1</b></p>

Picture	Description	Qty.
	Apex Bracket L	<b>1</b>
	Multicolored Tarp-M (Note exact tarp colors may vary.)	<b>1</b>
	Sandbox Cover-N	<b>1</b>



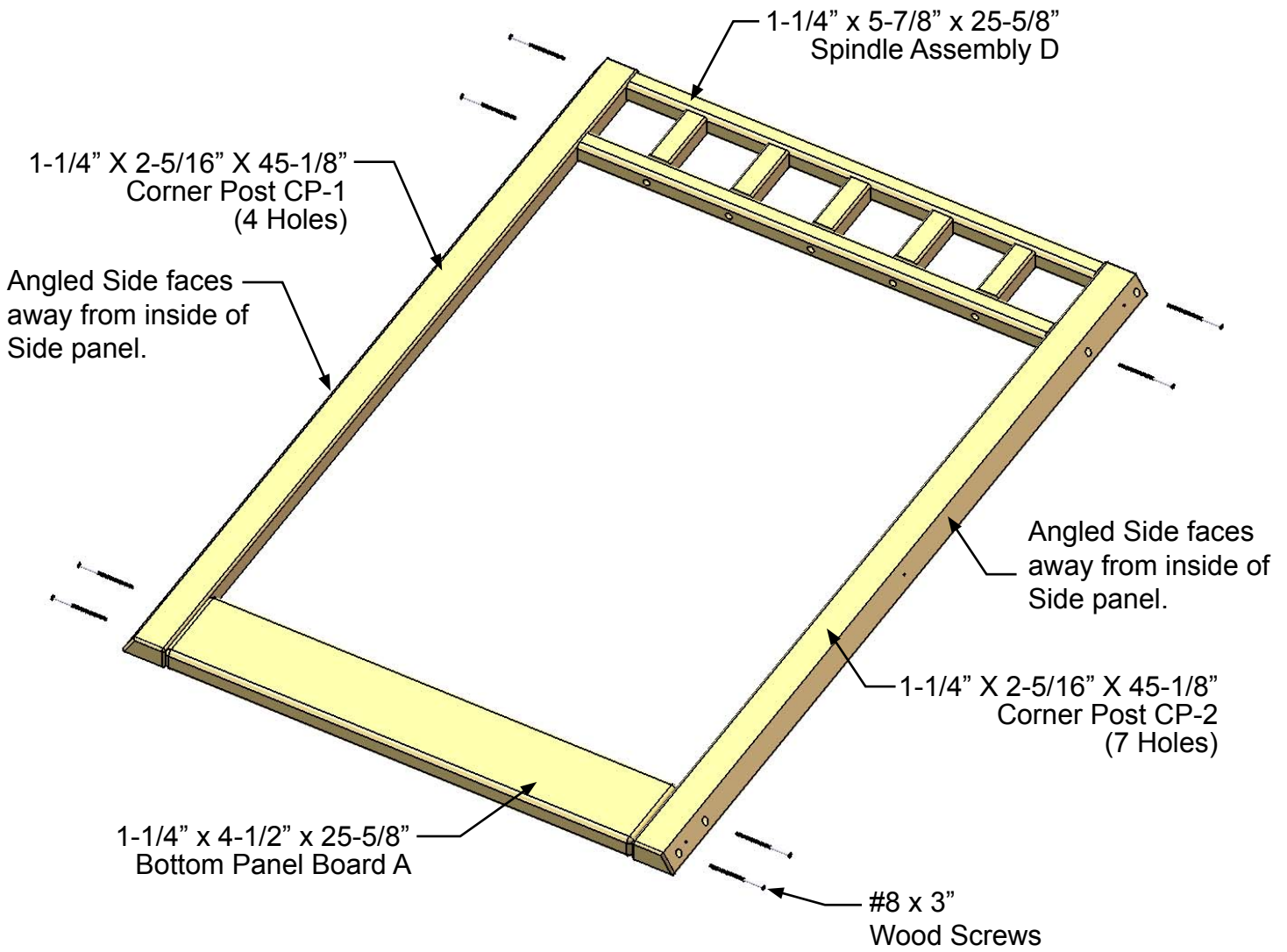
## Step 1: Side Panels

1: Locate one Bottom Panel Board A, one Corner Post CP-1 (4 holes), one Corner Post CP-2 (7 holes) and one Spindle Assembly D.

2: Lay out the parts on a "flat surface" as shown. The angled sides of the Corner Posts face away from the inside. Make sure your parts are square and flush to one another before fastening them together. Note, there is no "top side" or "bottom side" for the Spindle Assembly or for Bottom Panel Board A.

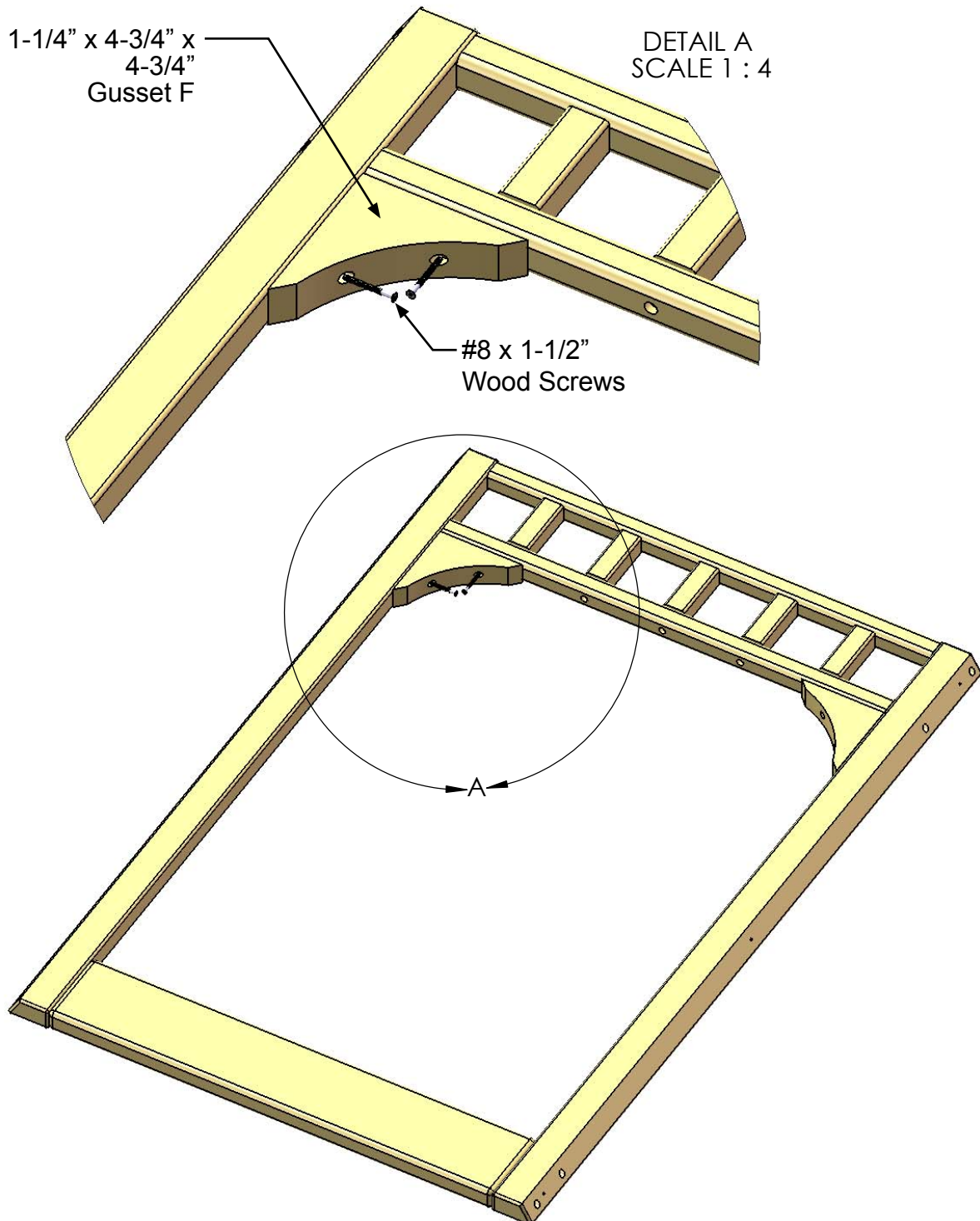
3: Attach Bottom Panel Board A flush to the end of the Corner Posts with four #8 x 3" wood screws.

4: Attach the Spindle Assembly to the Corner Posts with four #8 x 3" wood screws.



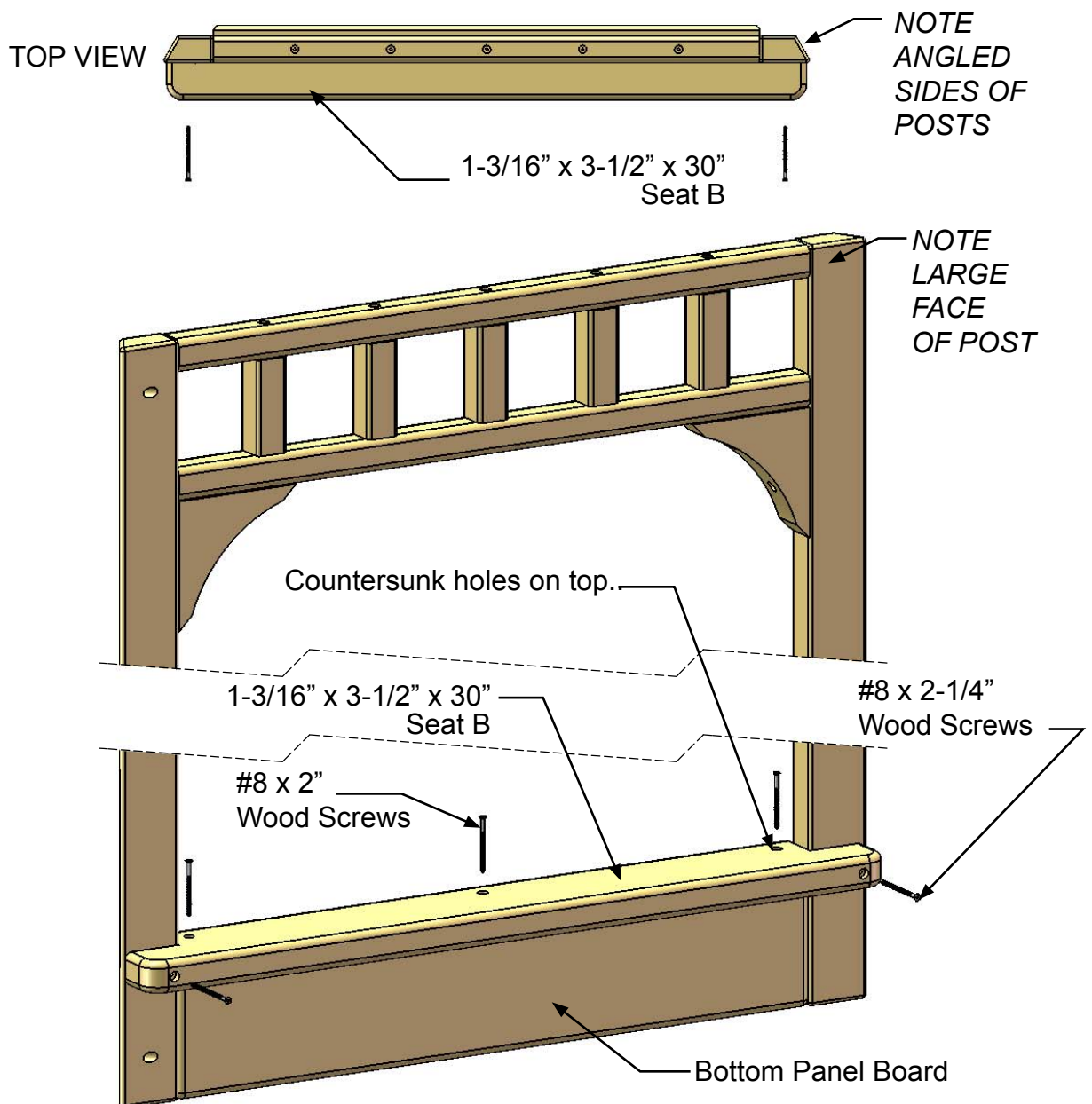
## Step 2: Gussets

- 1: Attach two Gusset F under the Spindle Assembly to the corner posts.
- 2: Attach each Gusset to the Spindle Assembly and the corner post with two #8 x 1-1/2" wood screws.
- 3: Repeat substeps 1-2 for the other five side panels.



## Step 3: Attaching Seat

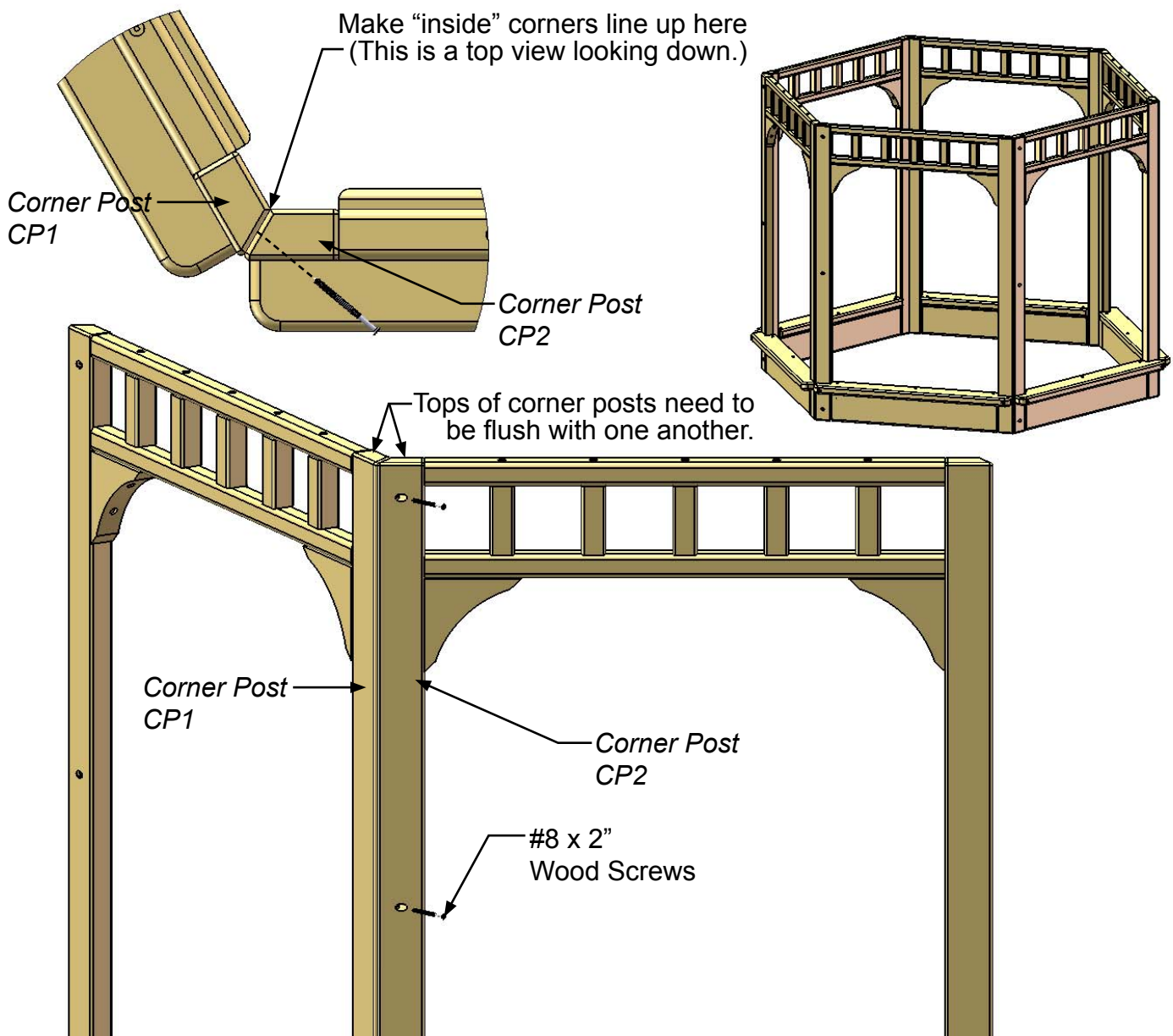
- 1: Place Seat B on top of the Bottom Panel Board with the three countersunk holes on top pointing up. Note that the Seat is attached on the outside of the Side Panel to the large flat face of the corner posts.
- 2: Attach the Seat to the Bottom Panel Board with three 2" wood screws.
- 3: Attach the Seat to the Corner Posts with two 2-1/4" wood screws.
- 4: Repeat substep 1 through substep 3 to attach the seats to the other five Side Panels.



## Step 4: Connecting Side Panels

1: Make the tops of the corner posts flush to one another. Line up inside corners of side panels as shown in top left detail picture below.

2: Attach the Side Panel Assemblies together in a hexagonal pattern as shown using three #8 x 2" wood screws to attach each side panel to the side panel beside it.

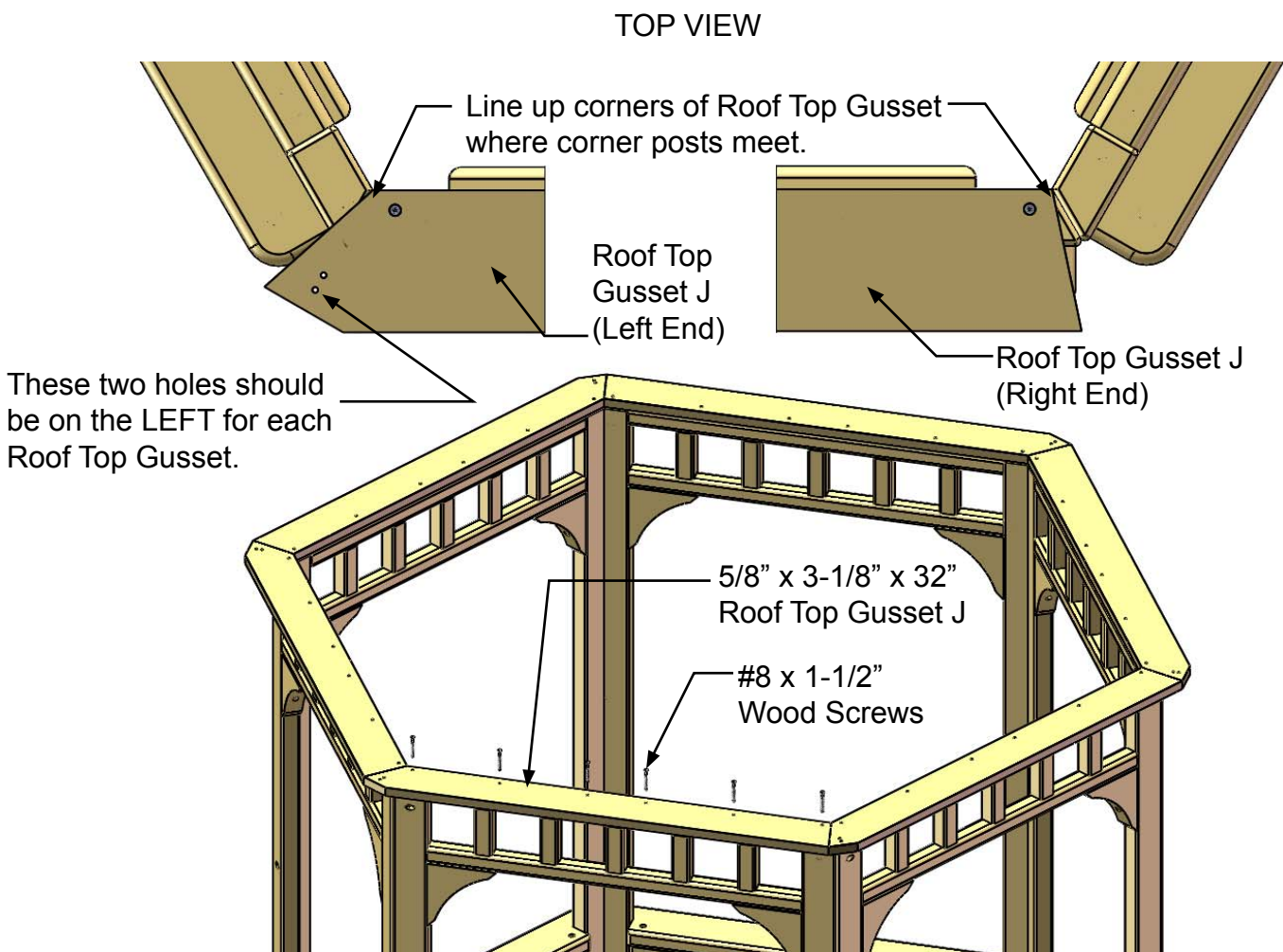


## Step 5: Roof Top Gusset

1: Locate six 5/8" x 3-1/8" x 32" Roof Top Gussets J.

2: Place each Roof Top Gusset on top of the wall panels as shown. The end with two holes should be on the left for each Roof Top Gusset. Line up the corners of the Roof Top Gusset with the corners where the corner posts meet as shown in the TOP picture below.

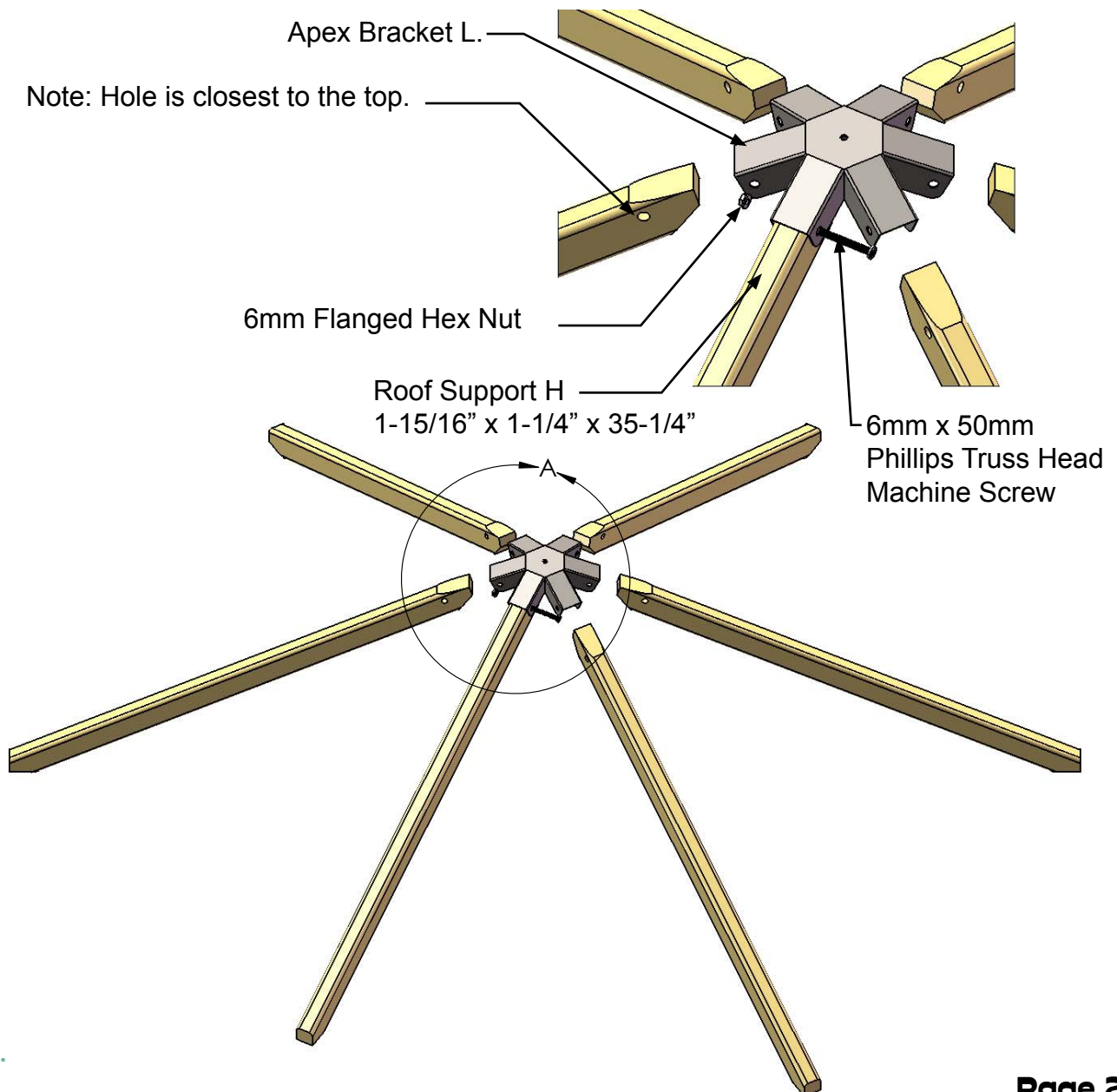
3: Attach each Roof Top Gusset to the top of the Spindle Assembly with six #8 x 1-1/2" wood screws.





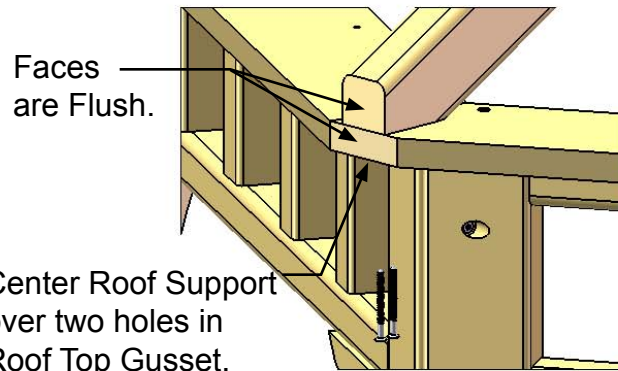
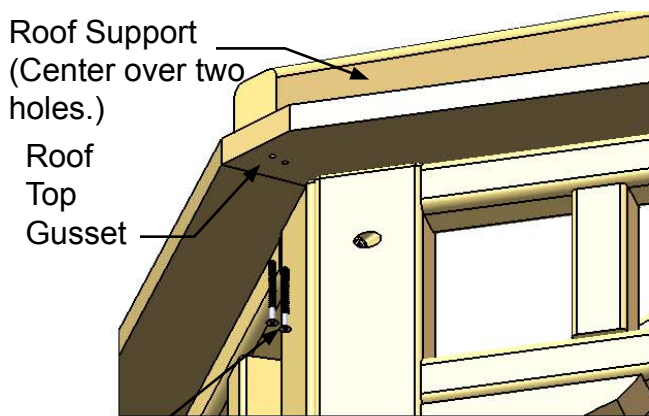
## Step 6: Roof Supports

- 1: Locate six of the 1-15/16" x 1-1/4" x 35-1/4" Roof Support H pieces, one Apex Bracket L, six 6mm x 50mm Phillips Truss head machine screws and six 6mm Flanged Hex Nuts.
- 2: Place one Roof Support H with the hole closest to the top inside the upside down "U" shaped flange of the Apex Bracket. Line up the holes.
- 3: Place a 6mm x 50mm L Phillips Truss head machine screw through the Apex Bracket and then through the Roof Support. Place a 6mm Flanged Hex nut onto the end of the machine screw and finger tighten.
- 4: Repeat sub steps 2 through 3 to attach the remaining Roof Supports to the Apex Bracket with the remaining hardware.



## Step 7: Attaching Roof Support Assembly

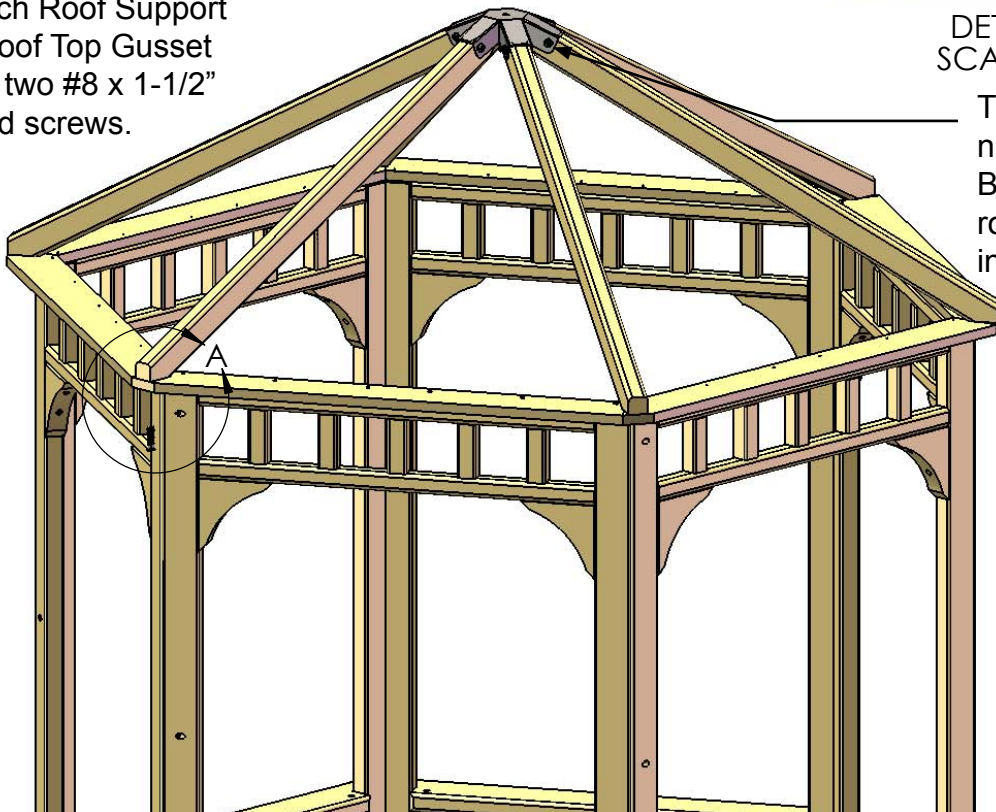
- 1: Place the Roof Support assembly from Step 6 on top of the Roof Top Gussets as shown below.
- 2: The free end of each Roof Support should be centered directly over the two holes at the left end of each Roof Top Gusset. The end face of the Roof Support should be flush to the face of the Roof Top Gusset. (See Detail A below and top left image below.)
- 3: Once the Roof Support is positioned attach the Roof Support to the Roof Top Gusset with two #8 x 1-1/2" wood screws. (See top left image below.) Alternate from side to side to attach the Roof Supports directly across from one another. It will be necessary to slightly pull the Roof Support across from a previously installed Roof Support to flush it with the side of the Roof Top Gusset (See top right image below.)
- 4: Repeat substeps 2 through 3 for the remaining Roof Supports. Tighten all the nuts in the Apex Bracket.



Attach Roof Support to Roof Top Gusset with two #8 x 1-1/2" wood screws.

DETAIL A  
SCALE 1 : 4

Tighten all the nuts in the Apex Bracket after the roof supports are installed.



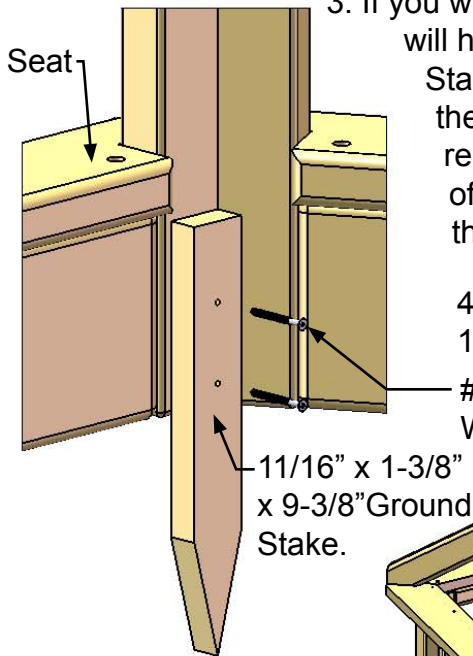
## Step 8: Attaching Ground Stakes

1: Locate six 11/16" x 1-3/8" x 9-3/8" Ground Stake E and twelve #8 x 1-1/2" wood screws.

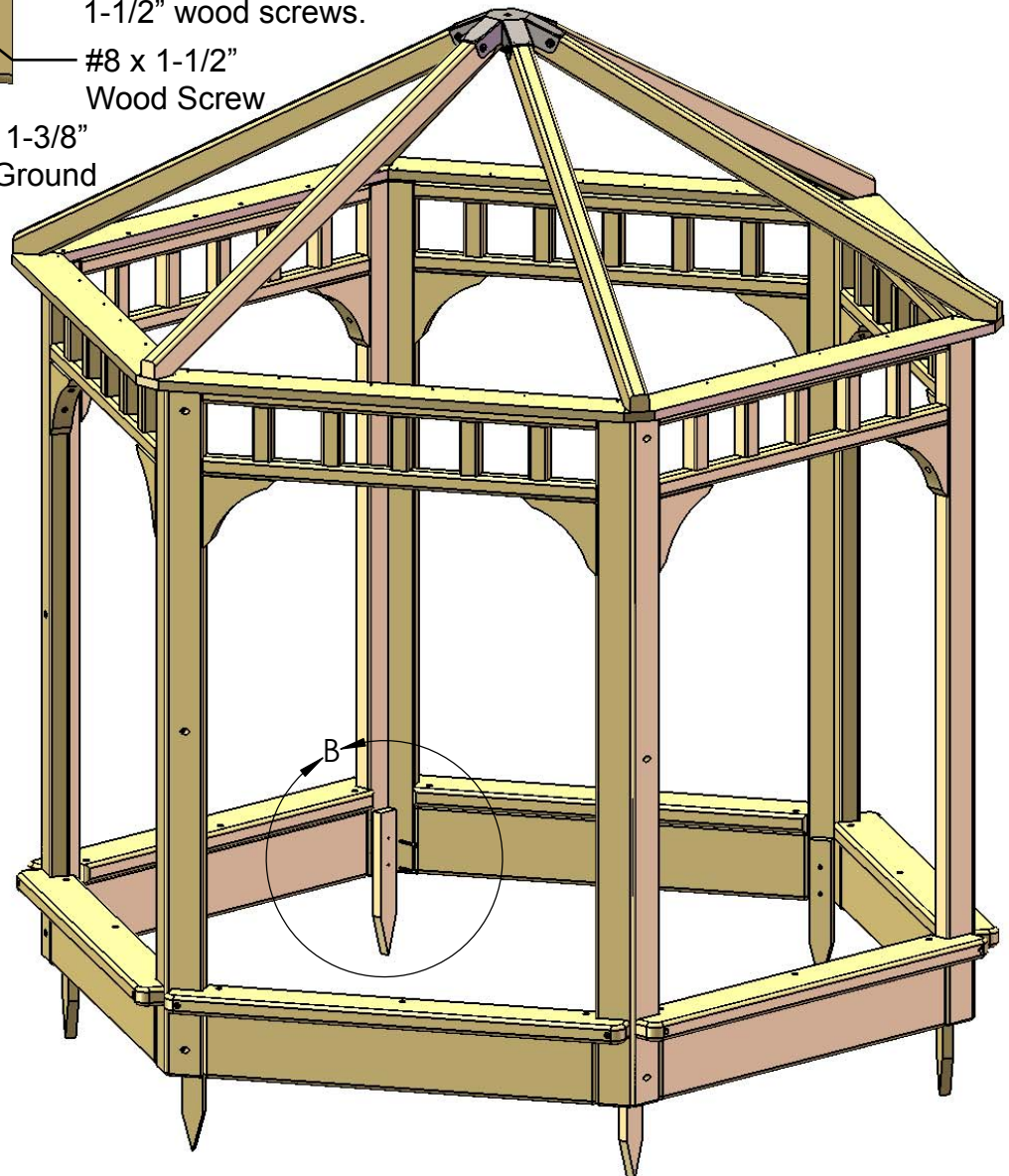
2: Place a Ground Stake on the inside of the Play Zee Bo base at each corner post joint as shown in Detail B below. Drive the Ground Stake into the ground with a hammer until the top of the Ground Stake is at least below the bottom edge of the Seat.

3: If you wish to drive the Ground Stake deeper you may do so but you will have to drill a new 1/8" diameter bottom hole in the Ground Stake. After each Ground Stake is driven into place make sure the edges are not splintered. If any edges are splintered then remove the splinters and sand any sharp edges. Ideally the top of the Ground Stake should be below the top of the surface of the sand inside the sandbox.

4: Attach each Ground Stake to the Corner Post with two #8 x 1-1/2" wood screws.



DETAIL B  
SCALE 1 : 4





## Step 9: Multicolored Tarp Installation

1: Place the multicolored Tarp M over the Roof Support Assembly as shown below. Each seam between colors will fall over the top of a Roof Support board. Stretch the outer Tarp edge over the outer edges of the Roof Top Gussets.

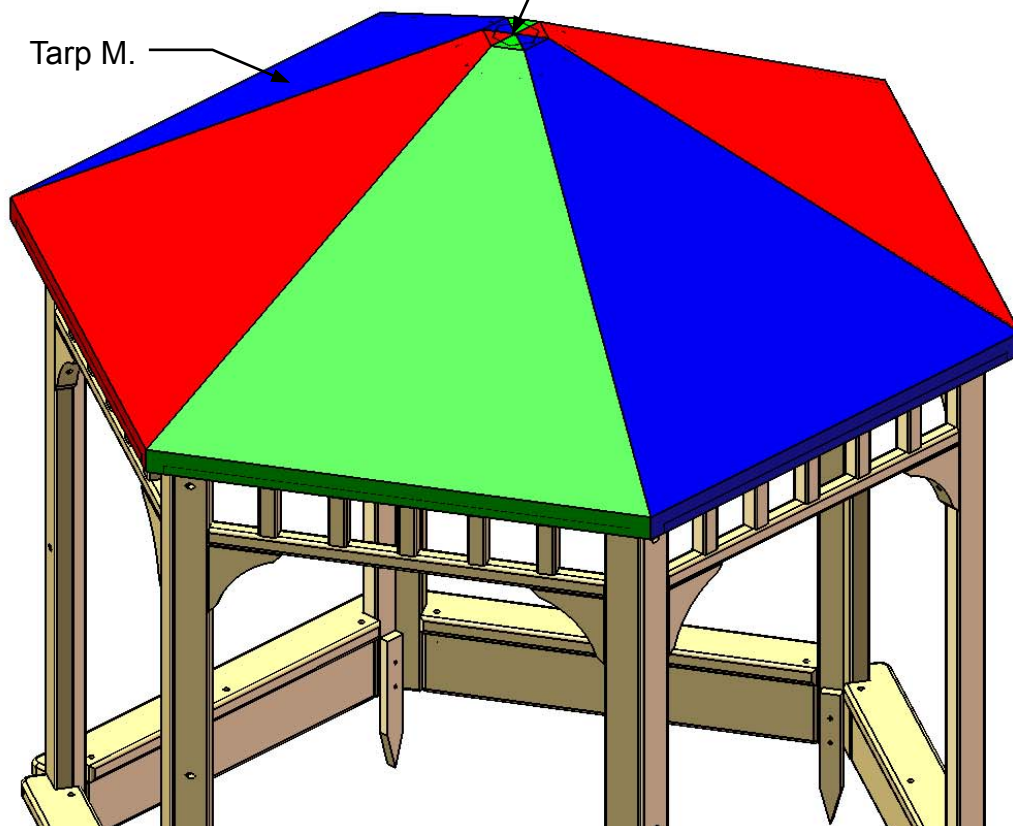
2: An elastic cord inside the outer edge of the Tarp keeps the Tarp secured underneath the Roof Top Gusset edges. Press the button on the Tarp Lock and pull the elastic cord tight then release the button. Go to the next page to Step 9.2.1 in the instructions now.

3: Make sure the Grommet in the Tarp is aligned with the threaded hole in the Apex Bracket. Now proceed to Step 10



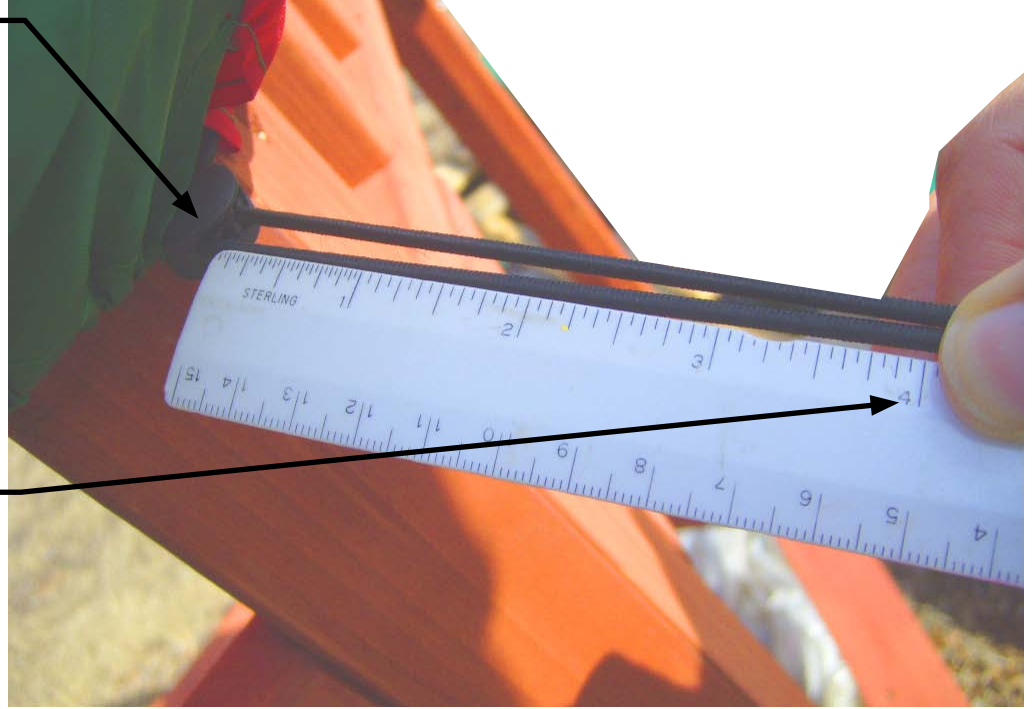
Press the button on the Tarp Lock and pull the elastic cord tight then release the button. Go to the next page to Step 9.2.1 in the instructions now.

Center Grommet in Tarp over threaded hole in the Apex Bracket.



## Step 9.2.1: Cutting the Tarp Cord

1) Depress the button on the Tarp cord lock. Pull the cord tight and release the button on the Tarp Cord lock.



2) Measure 4" (10cm) from the Tarp cord lock out on the cord. Cut both cords at 4" (10cm) away from the cord lock. Discard excess elastic cord and dispose of it.

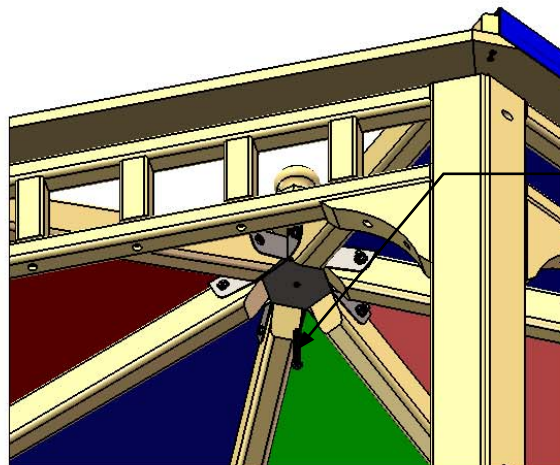
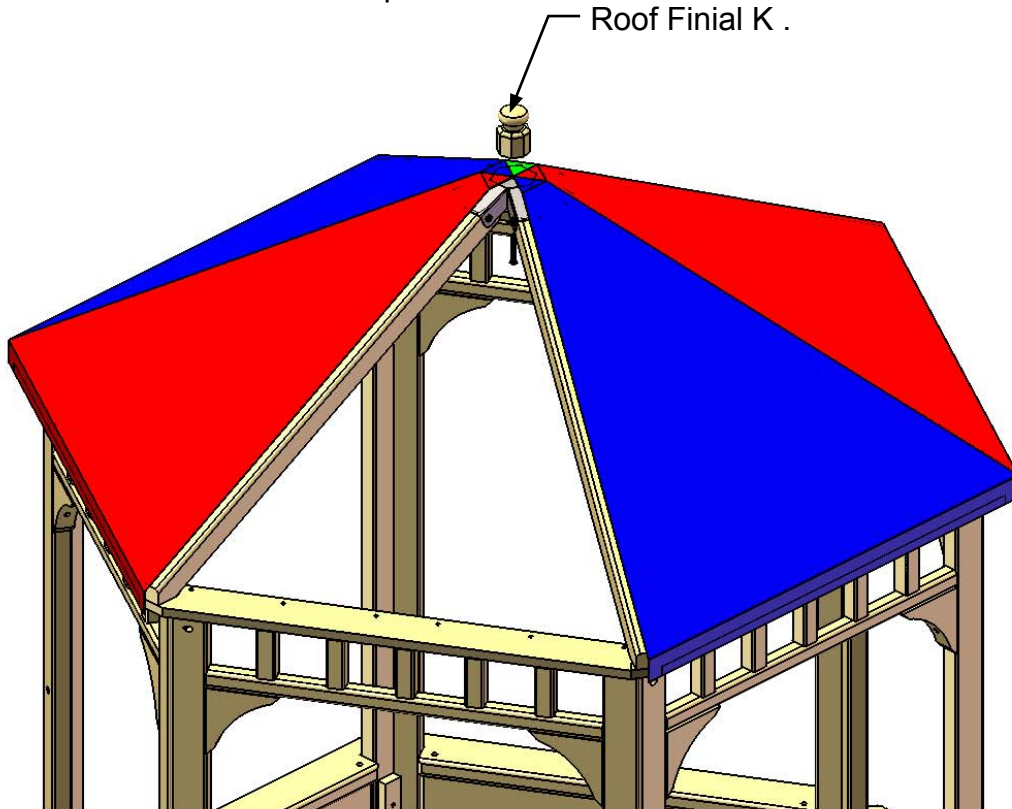
3) Tie a knot in the end of the cord. Tuck the elastic cord and Tarp cord lock underneath the outside edge of the tarp so children cannot see it. Return to Step 9 on the previous page.



Strangulation and choking hazard. Keep cord and Tarp Cord lock away from children. If cord ever breaks please dispose of it.

## Step 10: Attaching Roof Finial

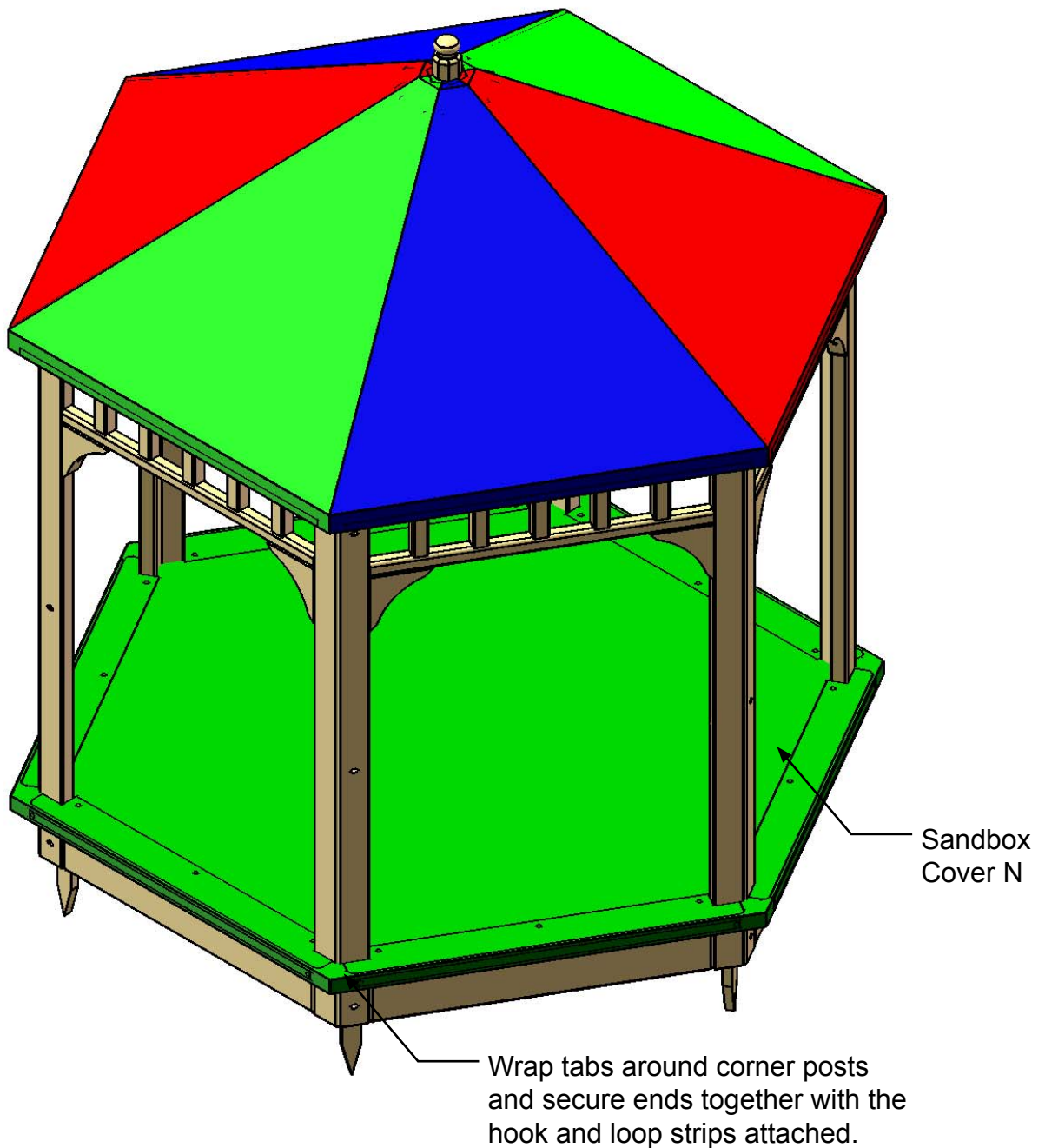
- 1: Locate Roof Finial K with the threaded insert in the bottom.
- 2: Thread a 6mm x 50mm Phillips Truss head screw through the bottom of the Apex bracket into the nut welded in the top of the Apex Bracket. A portion of the screw will stick out the top of the Apex Bracket and that portion should go through the hole in the tarp.
- 3: Screw Roof Final K onto the end of the Phillips Truss head screw protruding from the Apex Bracket until it just barely contacts the Tarp. Do not tighten Roof Finial K so tight that you twist the fabric of the Tarp.



6mm x 50mm Phillips Pan head screw goes up through the bottom of the Apex bracket and screws into the nut welded onto the Apex bracket.

## Step 11: Sandbox Cover

- 1: Place the notches in the Sandbox Cover N around the corner posts.
- 2: Wrap the tabs around the corner posts and secure them together with the hook and loop strips attached.





## Step 12: Safety Warnings

Observe all safety warnings printed on the Tarp and Sandbox Cover. Teach your children that they should not play with the Tarp or Sandbox Cover. These items are not toys.

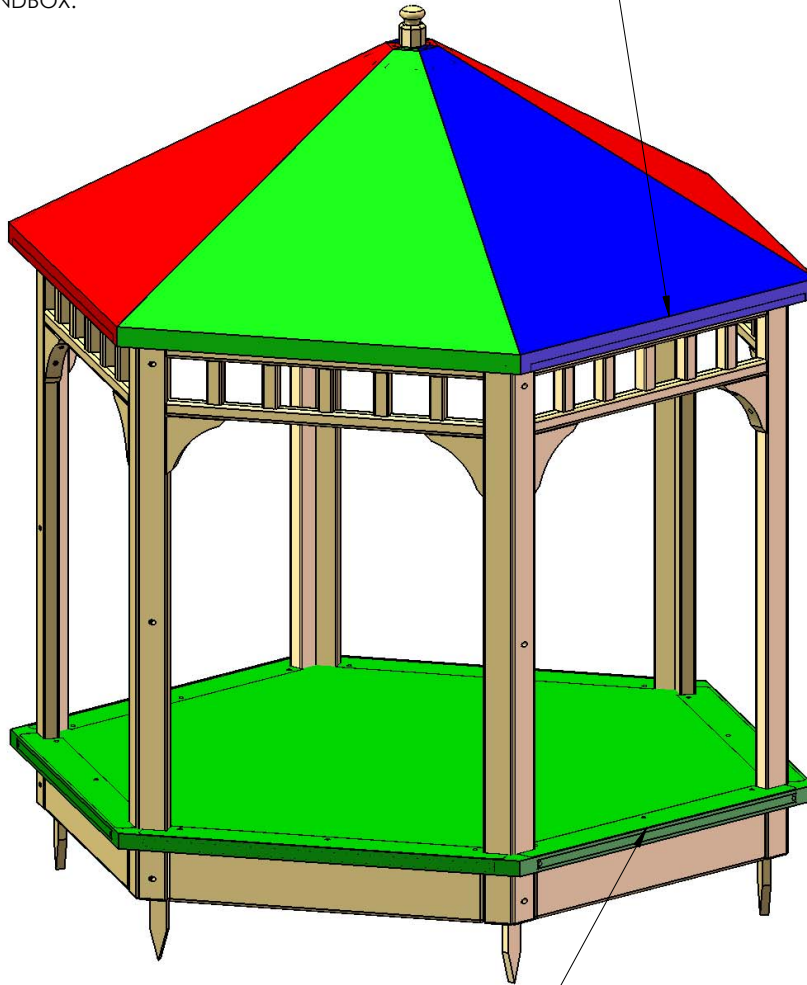
If your area experiences high wind conditions then follow the instructions below during storms and other high wind events.

MAKE SURE ALL SAFETY WARNINGS ARE VISIBLE AT ALL TIMES.

IF YOUR AREA EXPERIENCES HIGH WIND CONDITIONS REMOVE THE FINIAL AND THEN LOOSEN THE CORDING ON THE TARP. REMOVE THE TARP. REMOVE THE SANDBOX COVER. STOW THESE ITEMS AWAY FROM THE REACH OF CHILDREN. REINSTALL WHEN WEATHER CONDITIONS RETURN TO NORMAL.

KEEP SANDBOX COVER IN PLACE WHEN NOT IN USE TO KEEP DEBRIS AND ANIMALS OUT OF THE SANDBOX.

**WARNING:** SUFFOCATION HAZARD. KEEP COVER SECURELY IN PLACE FOR SAFETY.



**WARNING:** SUFFOCATION HAZARD. STORE COVER OUT OF REACH OF SMALL CHILDREN FOR SAFETY.