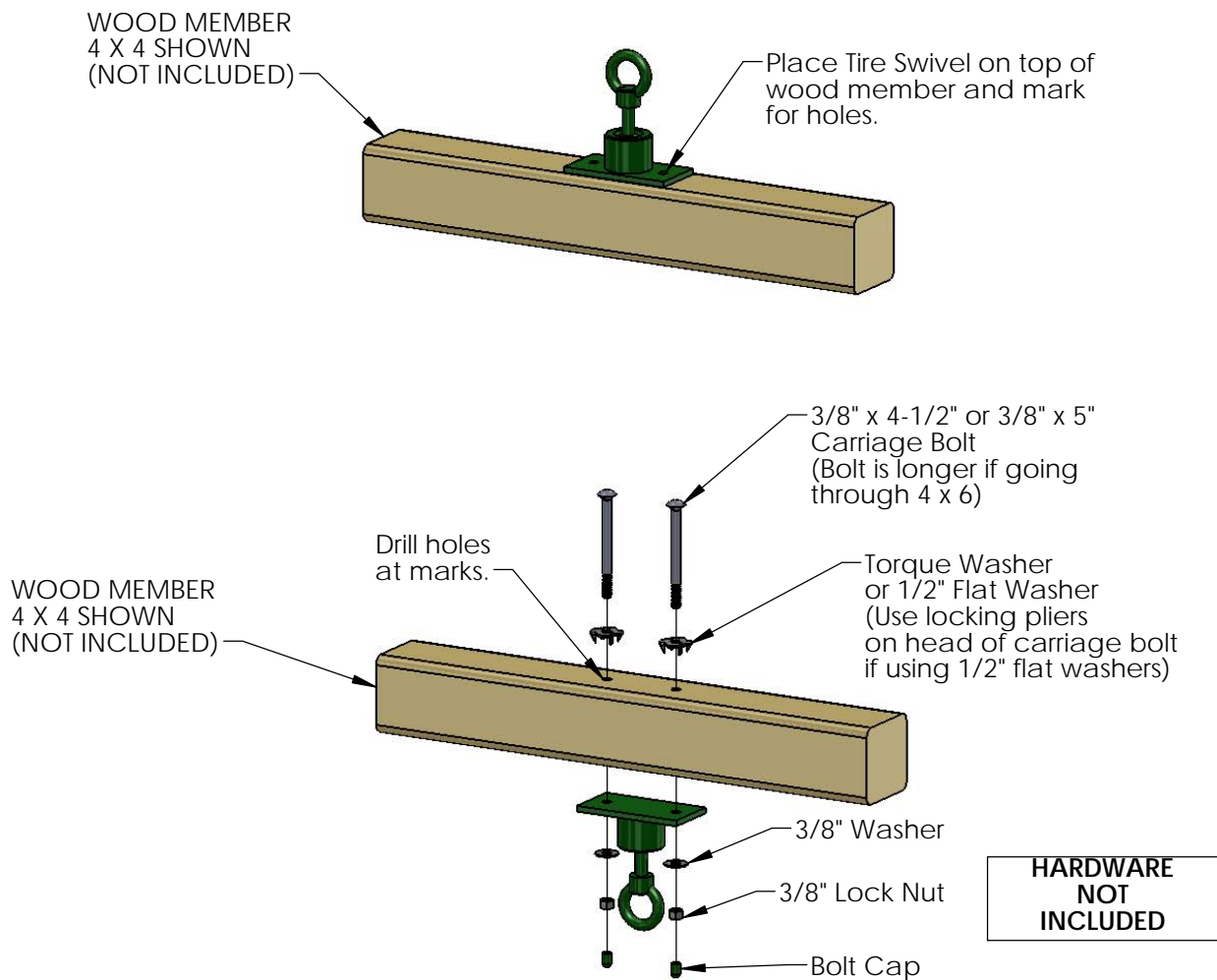


# Tire Swivel (11-4010)

1. Place Tire Swivel on top of 4 x 4 or 4 x 6 wood member. Wood member should be secured on each end to a supporting structure. Wood member should be of sufficient capacity to support the weight of 125 lbs plus the weight of a plastic molded tire swing or a small car-tire swing.
2. Mark through the holes in the Tire Swivel onto the top of the wood member. Remove Tire Swivel from top of wood member.
3. Drill 3/8" diameter holes through wood member at the marks.
4. Fasten Tire Swivel to wood member with carriage bolts, torque washers, washers and lock nuts. Place bolt covers over any exposed threads on the ends of the carriage bolts. (HARDWARE NOT INCLUDED)



## **!WARNING!**

**MAXIMUM WEIGHT CAPACITY OF TIRE SWIVEL IS 125 LBS. PLUS THE WEIGHT OF A SMALL CAR-TIRE SWING OR PLASTIC MOLDED TIRE SWING.**

**DO NOT HANG LOOSE ROPES, LOOSE CHAINS, LOOSE PET LEASHES, ETC. FROM THE TIRE SWIVEL. TIRE SWIVEL IS INTENDED TO HANG A TIRE SWING ONLY. ANY USE OTHER THAN HANGING A TIRE SWING IS PROHIBITED AND IS NOT RECOMMENDED OR ENDORSED BY THE SELLER.**

**\*FOR RESIDENTIAL USE ONLY\*  
\*FOR CHILDREN AGES 3-11\***

## SAFETY TIPS FOR SWINGS

- On-site adult supervision is required.
- Teach children not to walk close to, in front of, behind, or between **moving swings** or other moving playground equipment.
- Teach children to sit in and never stand on swings. (Exception to this rule is a product called "Stand -N- Swing")
- Teach children not to twist the chains and ropes and not to loop them over the swing beam, since this may reduce the strength of the chain or rope.
- Teach children not to jump from swings that are in motion.
- Teach children not to push empty seats. The seat may hit them and cause injury.
- Teach children to sit in the center of swings with their full weight on the seats.
- Teach children not to use the equipment in a manner other than intended.
- Parents should have the children dress appropriately with well-fitting shoes. Loose clothing such as scarves and ponchos should not be worn. Always take off, tie up or tuck in cords and drawstrings on children's clothing. These things can get caught on playground equipment and strangle a child.
- Teach children not to climb when the equipment is wet.
- Teach children not to attach items to the playground equipment that are not specifically designed for use with the equipment, such as, but not limited to, jump ropes, clothesline, pet leashes, cables and chain as they may cause a strangulation hazard.
- Teach children to never wrap their legs around swing chain.
- Teach children to never slide down the swing chain.
- Protective surfacing under swings is recommended. "To and Fro" swings should have a fall zone extending a minimum of 6' from the outer edge of the support structure on each side. The "fall zone" in front and back of the swing should extend out a minimum distance of twice the height of the swing as measured from the ground to the top of the swing support structure. Swings should have a minimum of 8 inches between them. (ASTM F-1148-09) The bottom of a swing should not be less than 8 inches above the protective surfacing material. (ASTM F-1148-09) Home Playground Safety Specification ASTM F-1148-09 may be purchased online. A guide for Public Playground Safety from the U.S. Consumer Product Safety Commission may be downloaded at: [www.cpsc.gov/cpsc/pub/pubs/325.pdf](http://www.cpsc.gov/cpsc/pub/pubs/325.pdf)
- A fall zone for a "tire swing" capable of unlimited lateral motion will be equal to a minimum horizontal distance of  $Y + 72$  in. in all directions from the pivot point of the swing. Y equals the vertical distance between the pivot point and the top of the tire swing. Protective surfacing is recommended in the fall zone for tire swings.

If any of the following conditions are noted they should be removed, corrected or repaired immediately to prevent injuries:

- Hardware that is loose, or worn, or those that have protrusions or projections.
- Scattered debris, litter, rocks or tree roots.
- Missing or damaged equipment components, such as swing seats.
- Remove plastic swing seats and take indoors (or do not use) when the temperature drops below 32° F.
- Oil all metallic moving parts monthly during the usage period.
- Check swing seats, ropes, cables and chains monthly during usage season for evidence of deterioration.

Replacement should be made of any swing seat that has developed cracks in the plastic seats or has exposed metal in the edges of the swing seat. If there are already exposed metal inserts on the edge of the seat, immediately remove the seat and chains to prevent serious injury. Ropes, cables and chains should be removed and replaced if excessive wear is found.